



HSCM0805 SERIES

1. FEATURES:

- (1) High rated currents, reduced components.
- (2) Wire wound structure common mode choke.
- (3) Best EMI suppression effect high impedance.

2. APPLICATIONS:

- (1) Preventive measure against common mode noise.
- (2) Radiation emissions from power line or else.
- (3) Best for high current circuit such as car.
- (4) Wireless charging and power device design.
- (5) Industrial applications.

3. PART NUMBER SYSTEM:

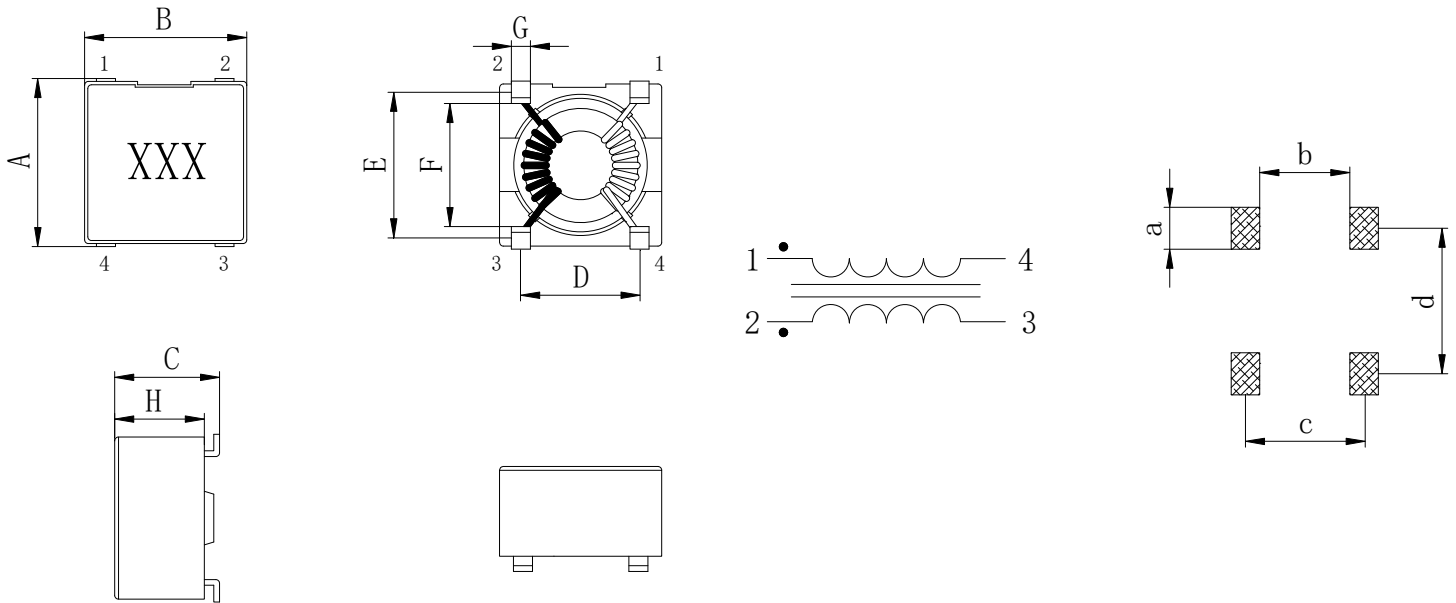
HSCM0805TL - 121 M

(1) (2) (3) (4) (5)

- (1) Type, SMD Common Mode.
- (2) Size, e.g. 0805 is for 8mm*5mm.
- (3) TL is for reel tape pack
- (4) Inductance value
- (5) Tolerance

HSCM0805 SERIES

4. PHYSICAL CHARACTERISTICS:



TYPE	A	B	C	D	E	F	G	H	a	b	c	d
	±0.5	±0.5	±0.5	±0.3	±0.3	Ref	Ref	Ref	Ref	Ref	Ref	Ref
0805	8.80	8.50	5.50	6.22	7.62	6.45	1.00	4.7	1.50	2.20	6.22	7.62

5. ELECTRICAL CHARACTERISTICS:

Part Number	Inductance	DCR	Rated Current	Impedance	Frequency Range
	(uH)±40%	(mΩ) Max	(A)	(Ω) Min	(MHZ)
HSCM0805TL-121	120	25	1.4	200	10~200
HSCM0805TL-251	250	30	1.25	400	5~100
HSCM0805TL-501	500	60	0.9	800	2~50
HSCM0805TL-102	1000	180	0.5	1400	1~40
HSCM0805TL-202	2000	250	0.45	2000	0.5~15
HSCM0805TL-302	3000	300	0.4	3000	0.5~10
HSCM0805TL-402	4000	580	0.3	4000	0.5~5
HSCM0805TL-502	5000	630	0.25	5000	0.5~3