

SHENZHEN HIGHSTARTECH ELECTRONICS CO.,LTD

EFD SERIES

1. FEATURES:

- (1) Lower power loss and higher work effectivity..
- (2) High Bs and lower raise temperature.
- (3) High application fequency and width range work frequency.
- (4) Exact application voltage and lower leakage inductance.

2. APPLICATIONS:

- (1) SMPS.
- (2) Communication equipment/electrical equipment and meter.
- (3) Household appliances/computer and so on.

3. PART NUMBER SYSTEM:

HSTXXEFD-XXXX

XXEFD-----core dimension and type, e.g. 20EFD

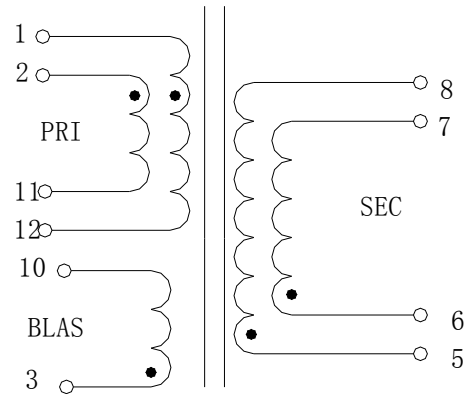
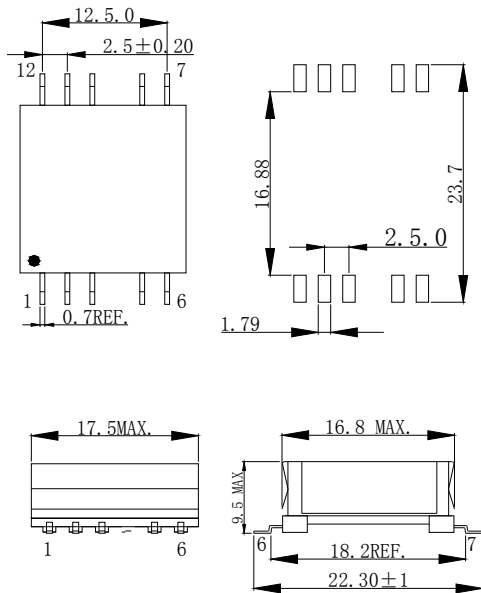
XXXX----- series number

SHENZHEN HIGHSTARTECH ELECTRONICS CO., LTD

EFD SERIES

4. PHYSICAL AND ELECTRICAL CHARACTERISTICS:

Part Number	Power (W)	Turn Ratio		output	OCL at 100KHz 0.1V		LK at 100KHz 0.1V	DCR(mohm max)		
		PRI:SEC	PRI:BIAS		AT 0A	AT XA(μ H MIN)		PRI	SEC	BIAS
HST15EFD088	6	1:0.07	1:0.36	1.8V 3.3A	75 μ H+/-10%	67.5 at 1.3A	8.0 μ H MAX	195	5	195
HST15EFD089	6	1:0.08	1:0.33	2.5V 2.4A	55 μ H+/-10%	49.5 at 1.2A	4.6 μ H MAX	95	5	150
HST15EFD090	6	1:0.11	1:0.36	3.3V 1.8A	65 μ H+/-10%	58.5 at 1.2A	3.9 μ H MAX	138	7	180
HST15EFD091	6	1:0.15	1:0.35	5.0V 1.2A	60 μ H+/-10%	54 at 1.1A	2.3 μ H MAX	130	9	165
HST15EFD092	6	1:0.35	1:0.35	12V 0.5A	55 μ H+/-10%	49.5 at 1.1A	0.7 μ H MAX	95	17	150



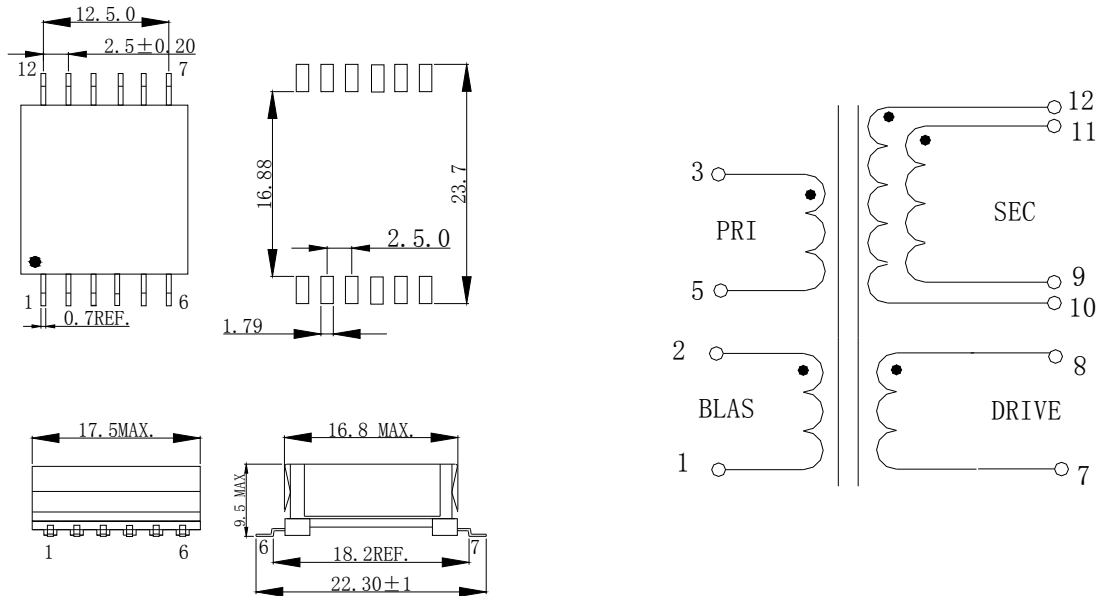
NOTE:

- 1、Dimensions:Inches/mm;
- 2、 Unless otherwise specified,tolerances:xx.x0 ± 0.25(mm);

SHENZHEN HIGHSTARTECH ELECTRONICS CO., LTD

EFD SERIES

Part Number	Power (W)	Turn Ratio			output	OCL at 100KHz 0.1V(uH)		LK at 100KHz 0.1V(uH MAX)	DCR(mohm max)			
		PRI:SEC	PRI:DRI	PRI:BIAS		AT 0A	AT 1.2A		PRI	SEC	BIAS	DRIVE
HST15EFD093	10	6.5:1	3.7:1	2:1	3.3V 3A	166+/-10%	150 MIN	2.5	735	22.5	985	510
HST15EFD094	10	5:1	3.2:1	2.25:1	5.0V 2A	150+/-10%	135 MIN	2	520	27.5	770	525
HST15EFD095	10	2:1	4:1	2:1	12V 0.83A	166.5+/-10%	150 MIN	2.05	760	101	1100	500



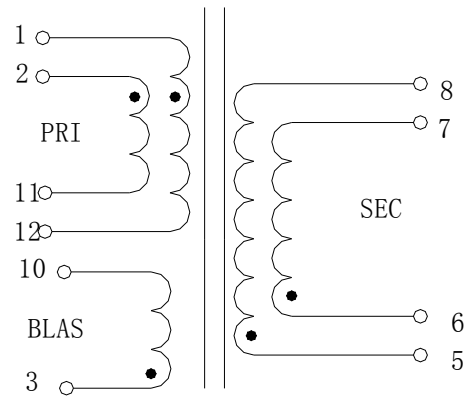
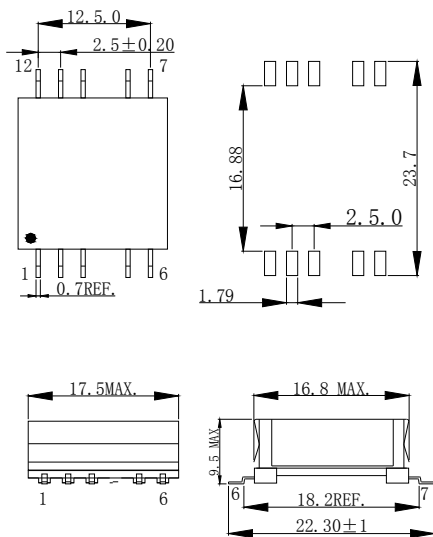
NOTE:

- 1、Dimensions:Inches/mm;
- 2、Unless otherwise specified,tolerances:xx.x0±0.25(mm);

SHENZHEN HIGHSTARTECH ELECTRONICS CO., LTD

EFD SERIES

Part Number	Power (W)	Turn Ratio		output	OCL at 100KHz 0.1V		LK at 100KHz 0.1V	DCR(mohm max)		
		PRI:SEC	PRI:BIAS		AT 0A	AT XA(μ H MIN)		PRI	SEC	BIAS
HST15EFD096	13	1:0.07	1:0.36	1.8V 7.2A	45 μ H+/-10%	40.5 at 2.3A	7.9 μ H MAX	195	5	195
HST15EFD097	13	1:0.08	1:0.33	2.5V 5.2A	35 μ H+/-10%	31.5 at 2.2A	4.2 μ H MAX	95	5	150
HST15EFD098	13	1:0.11	1:0.36	3.3V 3.9A	40 μ H+/-10%	36 at 2.2A	3.4 μ H MAX	138	7	180
HST15EFD099	13	1:0.15	1:0.35	5.0V 2.6A	40 μ H+/-10%	36 at 2.1A	1.9 μ H MAX	130	9	165
HST15EFD100	13	1:0.57	1:0.35	19.5V 0.67A	37 μ H+/-10%	33.3 at 2.0A	0.4 μ H MAX	85	25	385
HST15EFD101	13	1:0.67	1:0.33	24V 0.54A	37 μ H+/-10%	33.3 at 2.0A	0.4 μ H MAX	86	49	370



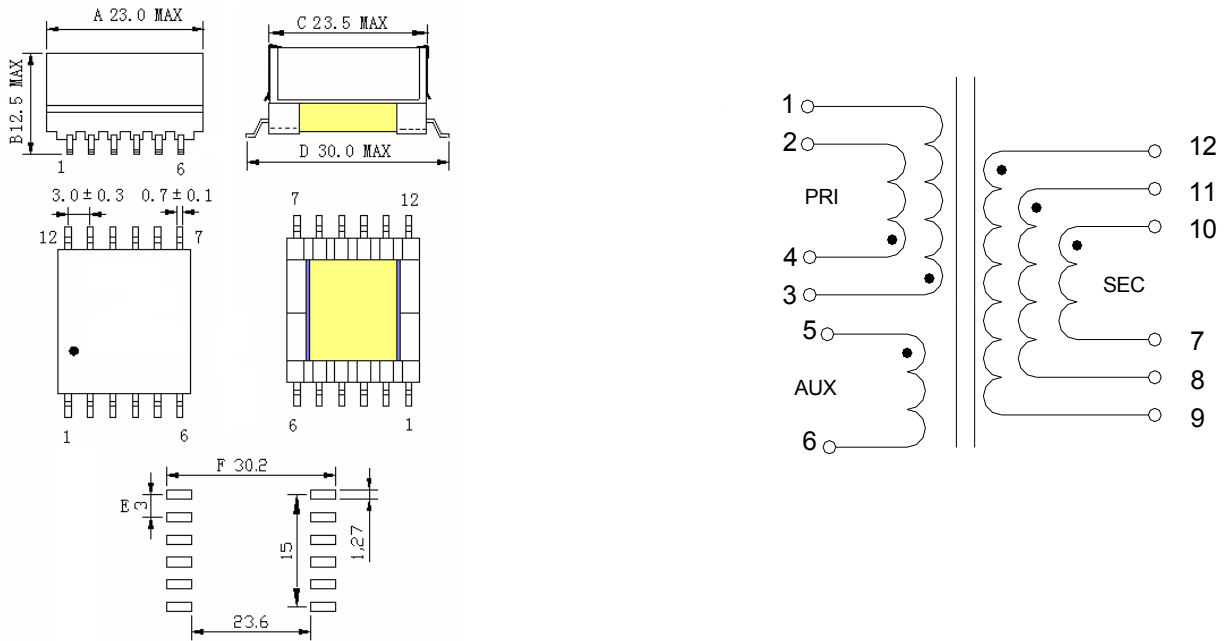
NOTE:

- 1、Dimensions:Inches/mm;
- 2、 Unless otherwise specified,tolerances:xx.x0±0.25(mm);

SHENZHEN HIGHSTARTECH ELECTRONICS CO., LTD

EFD SERIES

Part Number	Power (W)	Turn Ratio		output	OCL at 100KHz 0.1V		LK at 100KHz 0.1V	DCR(mohm max)		
		PRI:SEC	PRI:BIAS		AT 0A	AT 2.9A		PRI	SEC	BIAS
HST20EFD102	25	1:0.12	1:0.41	3.3V 7.5A	50uH+/-10%	40.8uH MIN	2.2uH MAX	26	2.6	328
HST20EFD103	25	1:0.18	1:0.41	5.0V 5.0A	50uH+/-10%	40.8uH MIN	1.05uH MAX	26	4	315
HST20EFD104	25	1:0.35	1:0.41	9.0V 2.8A	50uH+/-10%	40.8uH MIN	0.473uH MAX	26	13	315
HST20EFD105	25	1:0.47	1:0.41	12V 2.1A	50uH+/-10%	40.8uH MIN	0.409uH MAX	26	20	315
HST20EFD106	25	1:0.59	1:0.41	15V 1.7A	50uH+/-10%	40.8uH MIN	0.381uH MAX	26	37	305



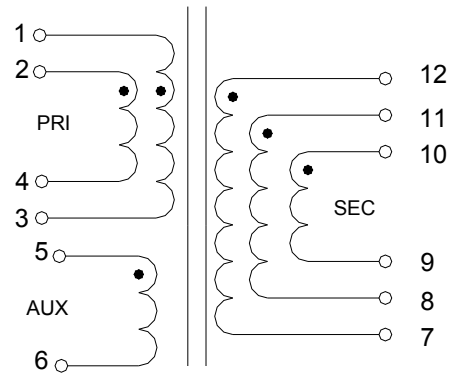
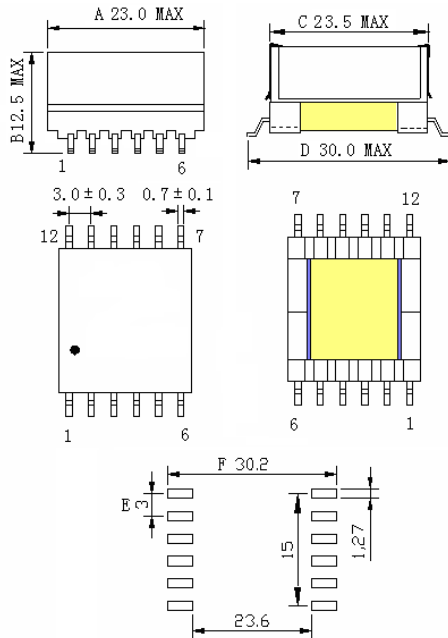
NOTE:

- 1、Dimensions:Inches/mm;
- 2、 Unless otherwise specified,tolerances:xx.x0 ± 0.25(mm);

SHENZHEN HIGHSTARTECH ELECTRONICS CO., LTD

EFD SERIES

Part Number	Power (W)	Turn Ratio		output	OCL at 100KHz 0.1V		LK at 100KHz 0.1V	DCR(mohm max)		
		PRI:SEC	PRI:BIAS		AT 0A	AT 2.6A		PRI	SEC	BIAS
HST20EFD107	30	1:0.09	1:0.33	3.3V 9.0A	42uH+/-10%	37.8uH MIN	3.0uH MAX	70	2.3	220
HST20EFD108	30	1:0.14	1:0.33	5.0V 6.0A	42uH+/-10%	37.8uH MIN	1.6uH MAX	69	5	225
HST20EFD109	30	1:0.33	1:0.33	12V 2.5A	42uH+/-10%	37.8uH MIN	0.545uH MAX	61	15	195
HST20EFD110	30	1:0.56	1:0.33	19.5V 1.5A	42uH+/-10%	37.8uH MIN	0.430uH MAX	60	37	195
HST20EFD111	30	1:0.67	1:0.33	24V 1.25A	42uH+/-10%	37.8uH MIN	0.310uH MAX	60	55	195



NOTE:

- 1、Dimensions:Inches/mm;
- 2、Unless otherwise specified,tolerances:xx.x0 ± 0.25(mm);