

SHENZHEN HIGHSTARTECH ELECTRONICS CO.,LTD

HPD1495 SERIES

1. FEATURES:

- (1) IDC up to 21A .
- (2) Inductance value is from 4.7uH to 33uH.
- (3) High energy storage and lower DCR.
- (4) Rohs compliant.
- (5) Customize inductance values available.

2. APPLICATIONS:

- (1) SMPS.
- (2) Communication equipment/electrical equipment and meter.
- (3) Household appliances/computer and so on.

3. PART NUMBER SYSTEM:

HPD1495-4R7M

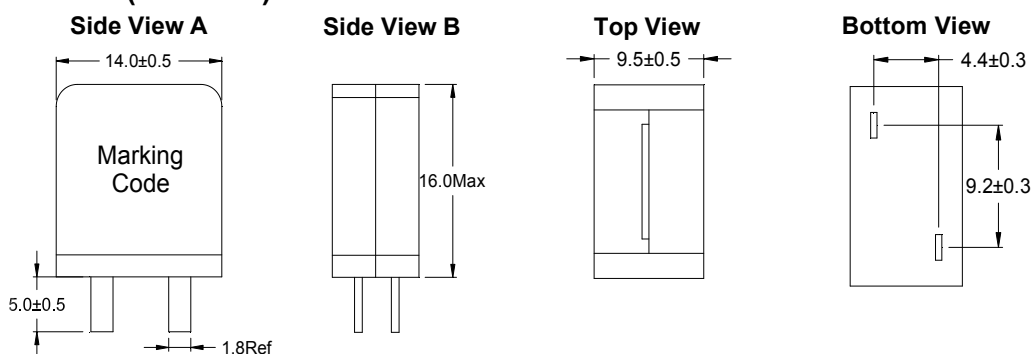
HPD1495-----core dimension is 1495

4R7----- inductance value

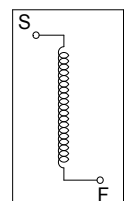
M-----tolerance

4. PHYSICAL CHARACTERISTICS:

Dimensions(Unit:mm)



Spice models



SHENZHEN HIGHSTARTECH ELECTRONICS CO.,LTD

HPD1495 SERIES

5. ELECTRICAL CHARACTERISTICS:

Part number	Inductance(μ H) \pm 20% 1KHz, 0.25V,	DCR(mohm) MAX	Isat(A) MAX drop off 30%	Irms(A) MAX temperature rise 40°C
HPD1495-4R7M	4.7	6.0	21	14.0
HPD1495-6R8M	6.8	6.5	17	12.0
HPD1495-8R2M	8.2	7.5	16	10.0
HPD1495-100M	10	8.5	15	10.0
HPD1495-120M	12	8.5	11.5	10.0
HPD1495-150M	15	8.5	9.5	10.0
HPD1495-220M	22	14.5	9.0	7.0
HPD1495-330M	33	14.5	6.2	7.0