

SHENZHEN HIGHSTARTECH ELECTRONICS CO.,LTD

HSD1065 SERIES

1. FEATURES:

- (1) IDC up to 7.8A .
- (2) Inductance value is from 6.8uH to 22uH.
- (3) High energy storage and lower DCR.
- (4) Rohs compliant.
- (5) Customize inductance values availabe.

2. APPLICATIONS:

- (1) SMPS.
- (2) Communication equipment/electrical equipment and meter.
- (3) Household appliances/computer and so on.

3. PART NUMBER SYSTEM:

HSD1065-8R2M

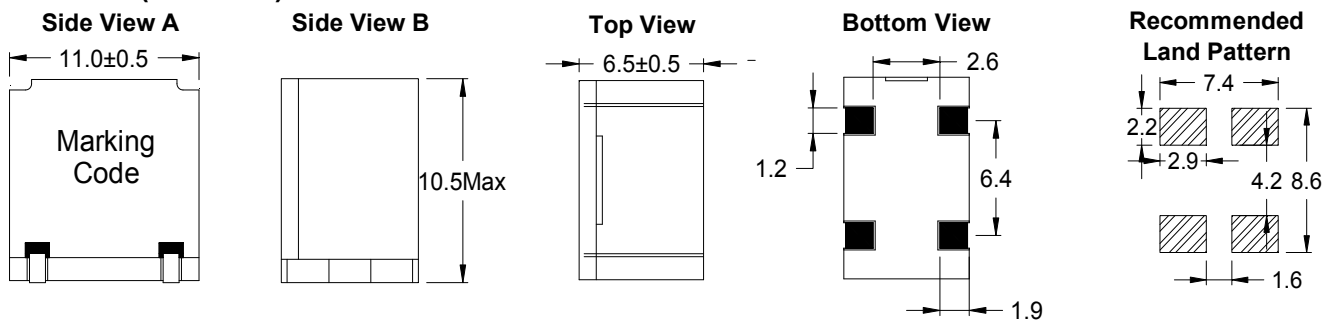
HSD1065-----core dimension is 1065

8R2----- inductance value

M-----tolerance

4. PHYSICAL CHARACTERISTICS:

Dimensions(Unit:mm)



SHENZHEN HIGHSTARTECH ELECTRONICS CO.,LTD

HSD1065 SERIES

5. ELECTRICAL CHARACTERISTICS:

Part number	Inductance(uH)+/-20% 1KHz, 1V,	DCR(mohm) MAX	Isat(A) MAX drop off 30%	Irms(A) MAX temperature rise 40°C
HSD1065-6R8M	6.8	12	7.8	6.7
HSD1065-8R2M	8.2	13.5	7.0	6.5
HSD1065-100M	10	14.5	5.7	6.3
HSD1065-120M	12	15.6	5.5	6.0
HSD1065-150M	15	25.0	5.5	4.5
HSD1065-180M	18	25.0	5.0	4.5
HSD1065-220M	22	28.0	4.0	4.0