

SHENZHEN HIGHSTARTECH ELECTRONICS CO.,LTD

HSPQ2016 SERIES

1. FEATURES:

- (1) IDC up to 25A .
- (2) Inductance value is from 6.8uH to 47uH.
- (3) High energy storage and lower DCR.
- (4) Rohs compliant.
- (5) Customize inductance values available.

2. APPLICATIONS:

- (1) SMPS.
- (2) Communication equipment/electrical equipment and meter.
- (3) Household appliances/computer and so on.

3. PART NUMBER SYSTEM:

HSPQ2016-6R8M

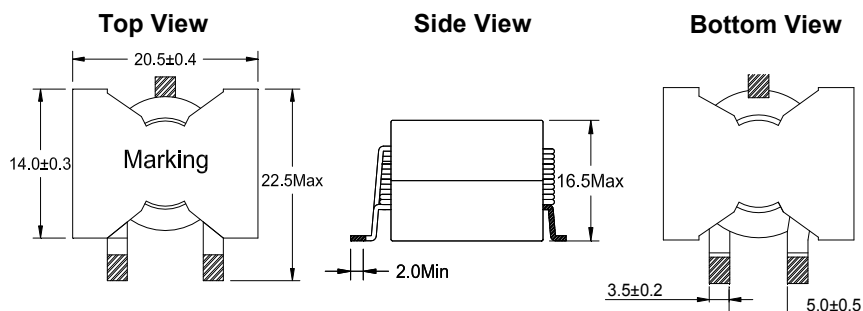
PQ2016-----core dimension is PQ2016

6R8----- inductance value

M-----tolerance

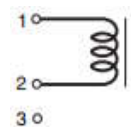
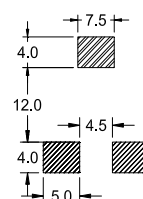
4. PHYSICAL CHARACTERISTICS:

Dimensions(Unit:mm)



Spice models

Recommended Land Pattern



Terminal 3 is for mounting stability only

SHENZHEN HIGHSTARTECH ELECTRONICS CO.,LTD

HSPQ2016 SERIES

5. ELECTRICAL CHARACTERISTICS:

Part number	Inductance(μ H) \pm 20% 100K, 0.1V,	DCR(mohm) MAX	Isat(A) MAX drop off 30%	Irms(A) MAX temperature rise 40°C
HSPQ2016-6R8M	6.8	3.5	25	20
HSPQ2016-8R0M	8.0	3.5	27	20
HSPQ2016-100M	10	6.0	24	18
HSPQ2016-220M	22	6.0	11	18
HSPQ2016-470M	47	10.5	6.5	15