

# SHENZHEN HIGHSTARTECH ELECTRONICS CO.,LTD

## HSPQ2014 SERIES

### 1. FEATURES:

- (1) IDC up to 60A .
- (2) Inductance value is from 2.2uH to 33uH.
- (3) High energy storage and lower DCR.
- (4) Rohs compliant.
- (5) Customize inductance values available.

### 2. APPLICATIONS:

- (1) SMPS.
- (2) Communication equipment/electrical equipment and meter.
- (3) Household appliances/computer and so on.

### 3. PART NUMBER SYSTEM:

HSPQ2014-2R2M

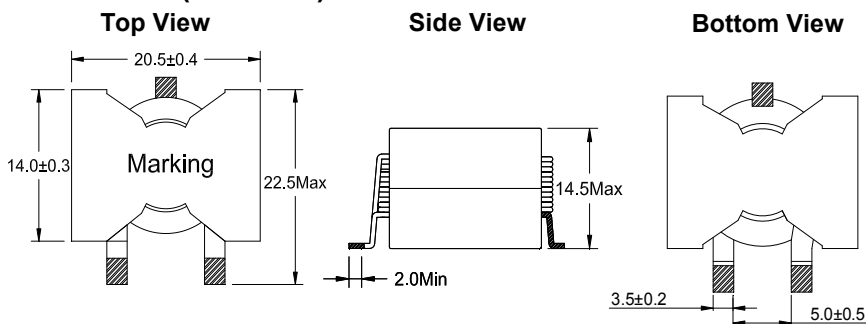
PQ2014-----core dimension is PQ2014

2R2----- inductance value

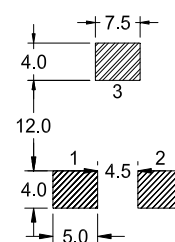
M-----tolerance

### 4. PHYSICAL CHARACTERISTICS:

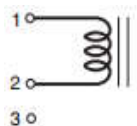
#### Dimensions(Unit:mm)



#### Recommended Land Pattern



#### Spice models



Terminal 3 is for mounting stability only

# SHENZHEN HIGHSTARTECH ELECTRONICS CO.,LTD

## HSPQ2014 SERIES

### 5. ELECTRICAL CHARACTERISTICS:

Part number	Inductance(uH)+/-20% 100K, 0.1V,	DCR(mohm) MAX	Isat(A) MAX drop off 30%	Irms(A) MAX temperature rise 40°C
HSPQ2014-2R2M	2.2	2.2	60	28
HSPQ2014-2R6M	2.6	2.2	49	28
HSPQ2014-3R3M	3.3	3.2	48	24
HSPQ2014-4R7M	4.7	3.2	35	24
HSPQ2014-5R6M	5.6	3.2	30	24
HSPQ2014-6R8M	6.8	7.3	34	18
HSPQ2014-8R2M	8.2	7.3	29	17
HSPQ2014-100M	10	7.3	23	16
HSPQ2014-150M	15	9.5	18	16
HSPQ2014-160M	16	9.5	18	16
HSPQ2014-220M	22	9.5	13	16
HSPQ2014-330M	33	9.5	9	16