

SHENZHEN HIGHSTARTECH ELECTRONICS CO.,LTD

HSEC2212 SERIES

1. FEATURES:

- (1) IDC up to 70A .
- (2) Inductance value is from 0.82uH to 56uH.
- (3) High energy storage and lower DCR.
- (4) Rohs compliant.
- (5) Customize inductance values availabe.

2. APPLICATIONS:

- (1) SMPS.
- (2) Communication equipment/electrical equipment and meter.
- (3) Household appliances/computer and so on.

3. PART NUMBER SYSTEM:

HSEC2212-2R2M

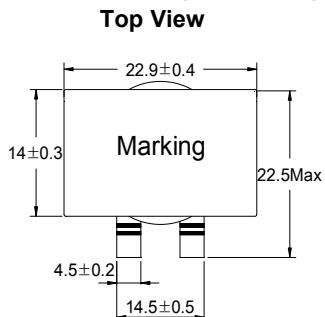
EC2212-----core dimension is EC2212

2R2----- inductance value

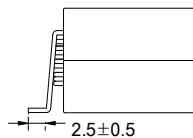
M-----tolerance

4. PHYSICAL CHARACTERISTICS:

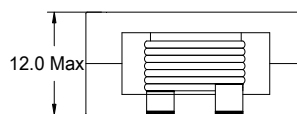
Dimensions(Unit:mm)



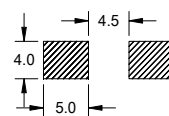
Side View



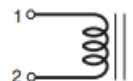
Bottom View



Recommended Land Pattern



Spice models



SHENZHEN HIGHSTARTECH ELECTRONICS CO.,LTD

HSEC2212 SERIES

5. ELECTRICAL CHARACTERISTICS:

Part number	Inductance(μ H) \pm 20% 100K, 0.1V,	DCR(mohm) MAX	Isat(A) MAX drop off 30%	Irms(A) MAX temperature rise 40°C
HSEC2212-R82M	0.82	0.62	70	40
HSEC2212-2R2M	2.2	2.98	64	22
HSEC2212-3R3M	3.3	2.98	40	22
HSEC2212-4R7M	4.7	2.98	33	22
HSEC2212-6R0M	6.0	2.7	26	22
HSEC2212-6R8M	6.8	4.7	22	16
HSEC2212-100M	10	4.7	20	16
HSEC2212-220M	22	13.97	16	13
HSEC2212-330M	33	13.97	11	13
HSEC2212-470M	47	13.97	8	13
HSEC2212-560M	56	13.97	5.0	13