

SHENZHEN HIGHSTARTECH ELECTRONICS CO.,LTD

HST26Q SERIES

1. FEATURES:

- (1) IDC up to 10.5A .
- (2) Inductance value is from 47uH to 680uH.
- (3) High energy storage and lower DCR.
- (4) Rohs compliant.
- (5) Customize inductance values availabe.

2. APPLICATIONS:

- (1) SMPS.
- (2) Communication equipment/electrical equipment and meter.
- (3) Household appliances/computer and so on.

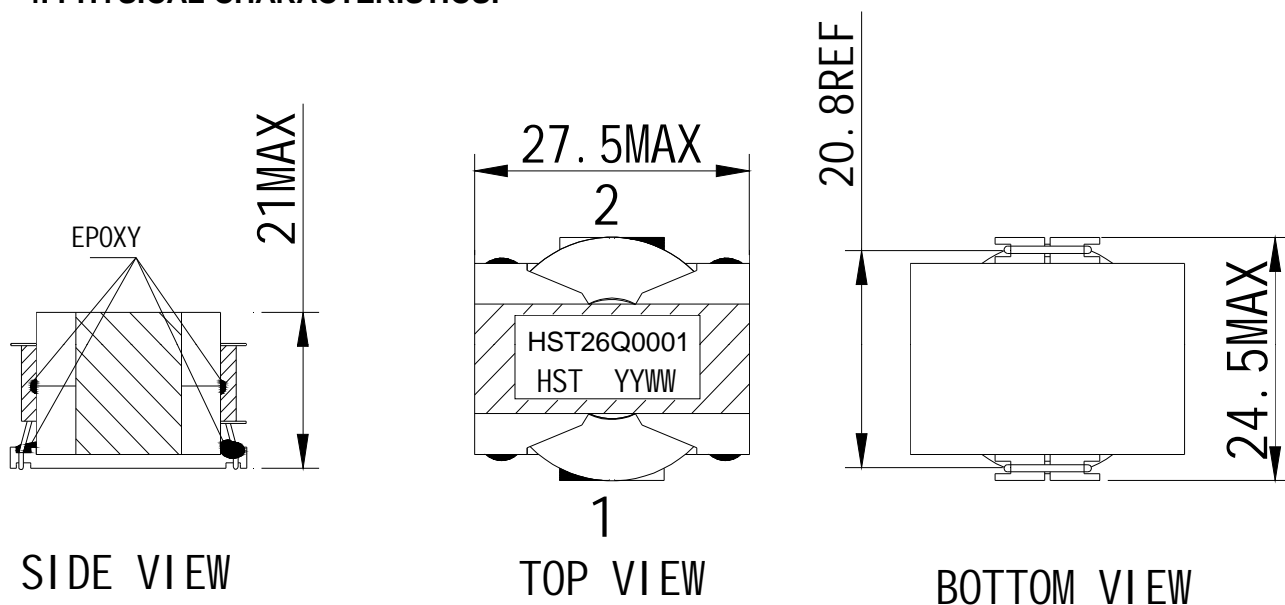
3. PART NUMBER SYSTEM:

HST26Q0001

26Q-----PQ26

0001----- sequence number

4. PHYSICAL CHARACTERISTICS:



SHENZHEN HIGHSTARTECH ELECTRONICS CO.,LTD

HST26Q SERIES

5. ELECTRICAL CHARACTERISTICS:

Part number	Inductance(uH)+/-15% 100K, 0.1V,	DCR(mohm) MAX	IDC(A) MAX drop off 25% temperature rise 40°C
HST26Q0001	47	15	10.5
HST26Q0002	68	19	9.0
HST26Q0003	100	27	7.5
HST26Q0004	150	40	6.0
HST26Q0005	220	52	5.0
HST26Q0006	330	82	4.0
HST26Q0007	470	102	3.5
HST26Q0008	680	137	3.0