

SHENZHEN HIGHSTARTECH ELECTRONICS CO., LTD

Single winding choke

1. FEATURES:

- (1) Line filters suppressing conductive noise ranging from low to high frequencies generated at power supply circuits of various electronic equipment.
- (2) High safety and reliability .
- (4) SMD mounted .

2. APPLICATIONS:

- (1) Minimizes noise emissions for conforming to FCC, VCCI, FTZ, CISPR, JTTC and VDE.
- (2) Applied equipment: TV, VCR, Switching Power sources, NC machines, computer systems.
Peripheral units and measuring instruments.

3. PART NUMBER SYSTEM:

HSLF17 - 110 - M - 13A

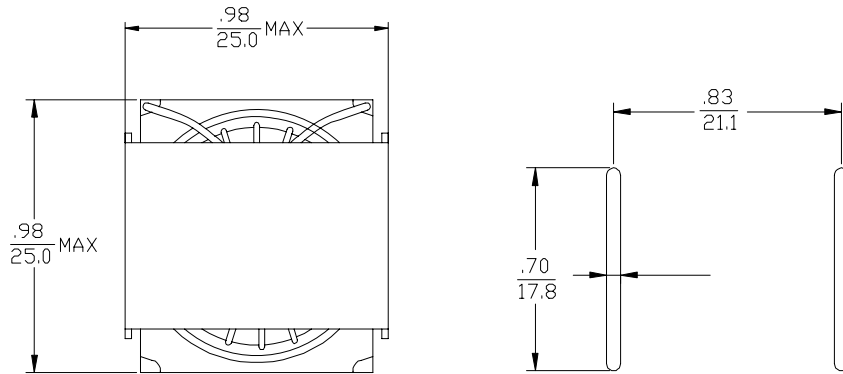
(1) (2) (3) (4)

- (1) Type, SMD Line Filter.
- (2) Inductance, e.g. 110 is for 11uH.
- (3) Inductance tolerance, M means +/-20%.
- (4) Rated current, e.g. 13A

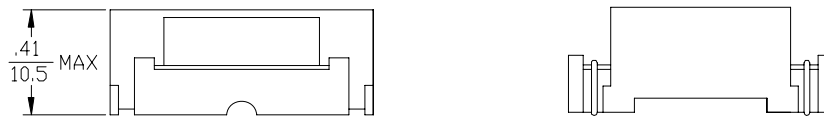
SHENZHEN HIGHSTARTECH ELECTRONICS CO., LTD

Single winding choke

4. PHYSICAL CHARACTERISTICS:



PCB LAYOUT



5. ELECTRICAL CHARACTERISTICS:

Part Number	IR(A)	D(mohm) MAX	L 10K,0.1V (uH)	
HSLF17-110N-13A	13	8.1	11	
HSLF17-380N-3.0A	3	50	38	
HSLF17-111N-2.3A	2.3	100	110	