

SHENZHEN HIGHSTARTECH ELECTRONICS CO.,LTD

EC SERIES

1. FEATURES:

- (1) Lower power loss and higher work effectivity..
- (2) High Bs and lower raise temperature.
- (3) High application fequency and width range work frequency.
- (4) Exact application voltage and lower leakage inductance.
- (5) Compliance with EN60950 and EN60065 ans EN61558.

2. APPLICATIONS:

- (1) SMPS.
- (2) Communication equipment/electrical equipment and meter.
- (3) Household appliances/computer and so on.

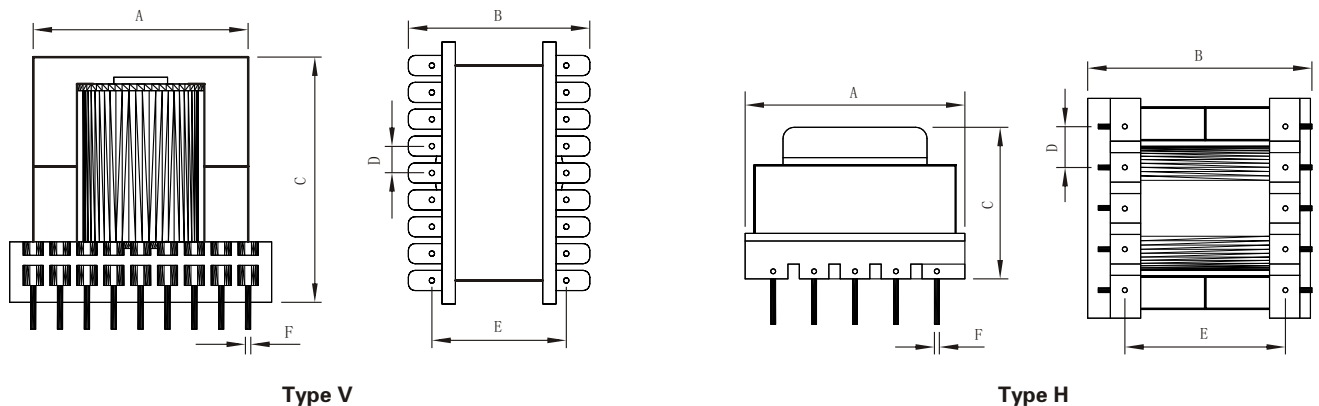
3. PART NUMBER SYSTEM:

HSTXXEC-XXXX

XXEC-----core dimension and type, e.g. 25EC

XXXX----- series number

4. PHYSICAL CHARACTERISTICS:



SHENZHEN HIGHSTARTECH ELECTRONICS CO.,LTD

EC SERIES

5. ELECTRICAL CHARACTERISTICS:

Part number	Type	Pin number	Dimension(mm)						MAX output power (VA)
			MAX	MAX	MAX	±0.3	±0.5	±0.1	
			A	B	C	D	E	F	
HST11.5EC -A	V	8	14	14	12	2.6	9.0	0.6	3
HST25EC-A	V	8	27	22	28	5.0	12.5	0.8	87
HST25EC-B	V	10	27	22	28	5.0	15	0.8	87
HST28EC-A	H	20	35	32	25	2.54	28	0.5	203
HST28EC-B	H	12	31	32	25	5.0	25	0.8	203
HST28EC-C	V	10	27	25	32	5.0	17.3	0.8	203
HST28EC-D	V	12	32	28	32	4.9	22	0.8	203
HST33EC-A	V	14	37	31	40	5.0	25	1.0	235
HST33EC-B	V	14	37	29	40	5.0	22.5	1.0	235
HST34EC-A	V	14	36	29	40	5.0	22.3	1.0	240
HST35EC-A	V	12	38	30	46	5.0	22.5	1.0	325
HST35EC-B	V	14	37	30	44	5.0	22.5	1.0	325
HST35EC-C	V	16	41	30	46	5.0	22.6	1.0	325
HST35EC-D	H	16	41	45	29	5.0	35	1.0	325
HST35EC-E	H	12	38	45	27	5.3	37.1	1.0	325
HST35EC-F	H	12	45	37	30	5.4	37.1	1.0	325
HST39EC-A	V	16	44	32	53	5.0	25	1.0	370
HST39EC-B	V	14	40	32	54	5.0	25.2	1.0	370
HST39EC-C	V	18	45	32	53	5.0	25	1.0	370
HST39EC-D	H	16	43	45	35	5.0	30.6	1.0	370
HST39EC-E	H	16	43	47	35	5.0	35.3	1.0	370
HST40EC-A	V	16	42	33	51	5.0	25.2	1.0	421
HST40EC-B	V	16	42	34	52	5.0	27.5	1.0	421

SHENZHEN HIGHSTARTECH ELECTRONICS CO.,LTD

EC SERIES

HST40EC-C	V	12	42	33	48	5.0	25	1.0	421
HST40EC-D	H	16	42	50	37	5.0	35.2	1.0	421
HST42EC-A	V	18	47	33	47	5.0	27.4	1.0	433
HST42EC-B	V	14	44	32	49	5.0	24.8	1.0	433
HST42EC-C	V	18	47	39	52	5.0	30.2	1.0	509
HST42EC-D	H	14	45	45	36	5.0	34.8	1.0	509
HST49EC-A	V	22	55	37	62	5.0	27.5	1.0	680
HST49EC-B	V	18	52	38	57	5.0	27.5	1.0	680
HST49EC-C	V	20	55	41	60	5.0	32.5	1.0	680
HST53EC-A	V	18	55	41	55	5.0	32.5	1.0	800
HST54EC-B	V	18	55	41	55	5.0	32.5	1.0	800