

SHENZHEN HIGHSTARTECH ELECTRONICS CO., LTD

HSB0604R SERIES

1. FEATURES:

1. Low profile: 4.3mm(Max)
2. Common mode impedance of 88 ~ 556Ω at 100MHz, 176 ~ 860Ω at 400MHZ.
3. Operating temperature Range: -25°C ~ +85°C
4. Suitable for reflow soldering.

2. APPLICATIONS:

HSB0604R Series is a dual wound common mode choke w/c is ideal for NOISE ATTENUATION in a twisted pair cable interfaces as well as IEEE 1394 & USB2.0 applications. An excellent impedance balance between two sets of twisted pairs is achieved by winding across a single core.

One HSB0604R common mode choke coil per interface port is possible with this dual winding configurations.

3. PART NUMBER SYSTEM:

HSB - 0604R - TL - 015

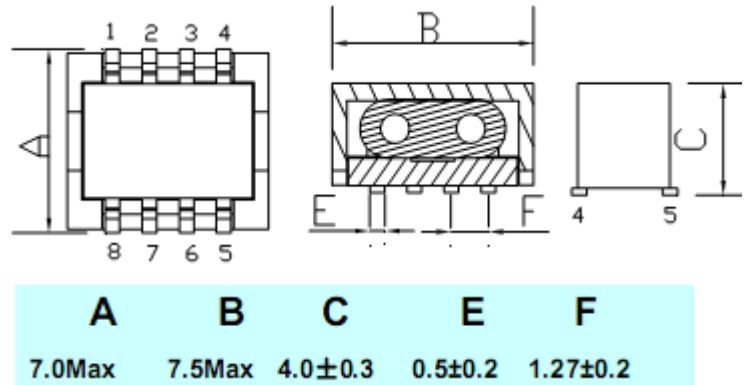
(1) (2) (3) (4)

- (1) Series name.
- (2) 0604R is size.
- (3) TL is reel tape package.
- (4) 015 is sequence number

SHENZHEN HIGHSTARTECH ELECTRONICS CO., LTD

HSB0604R SERIES

4. PHYSICAL CHARACTERISTICS:



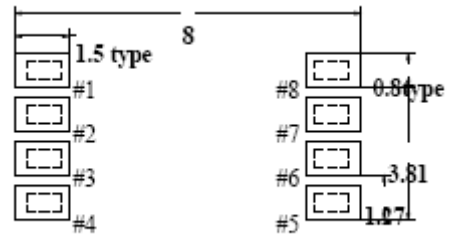
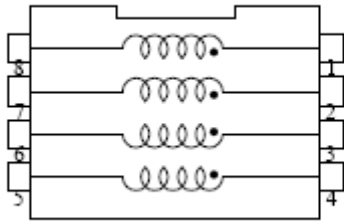
5. ELECTRICAL CHARACTERISTICS:

Part Number	Insertion Loss (HP-8714C)			
	50MHz	100MHz	300MHz	500MHz
HSB0604RTL-015	0.9dB ± 0.5dB	2.6dB ± 1.0dB	5.4dB ± 2.0dB	7.0dB ± 2.0dB
HSB0604RTL-025	1.3dB ± 1.0dB	5.0dB ± 2.0dB	10.0dB ± 3.0dB	12.0dB ± 3.0dB
HSB0604RTL-035	3.0dB ± 1.0dB	9.0dB ± 2.0dB	15.0dB ± 3.0dB	17.0dB ± 3.0dB
HSB0604RTL-045	6.5dB ± 2.0dB	12.0dB ± 1.0dB	18.0dB ± 1.0dB	19.0dB ± 1.0dB

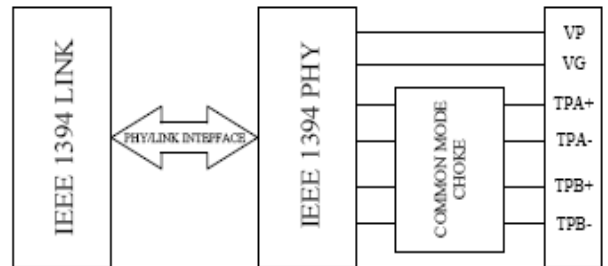
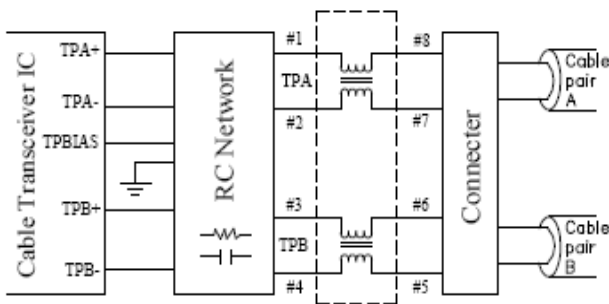
Part Number	I DC (Max)	R DC (Max)	Impedance Common mode (HP-4291B)	Rated Voltage	Withstanding Voltage (CH-901)	Insulation Resistance (CH-702A)
HSB0604RTL-015	0.50A	0.08Ω	88Ω @ 100MHz	DC 80V	AC150V 2mA/60s between winding and winding	DC100V 100Mohm MIN between winding and winding
			176Ω @ 400MHz			
HSB0604RTL-025	0.50A	0.09Ω	180Ω @ 100MHz			
			420Ω @ 400MHz			
HSB0604RTL-035	0.50A	0.10Ω	340Ω @ 100MHz			
			740Ω @ 400MHz			
HSB0604RTL-045	0.50A	0.12Ω	556Ω @ 100MHz			
			860Ω @ 400MHz			

HSB0604R SERIES

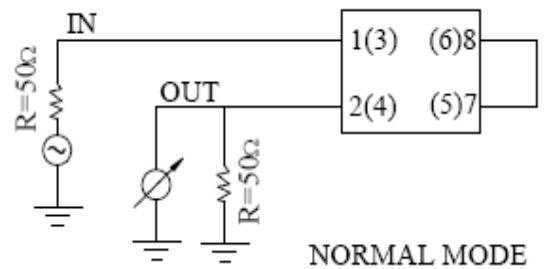
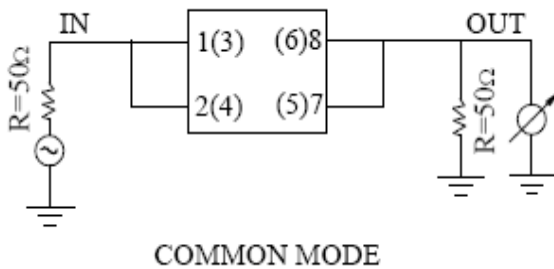
Circuit(Top View)&PAD:



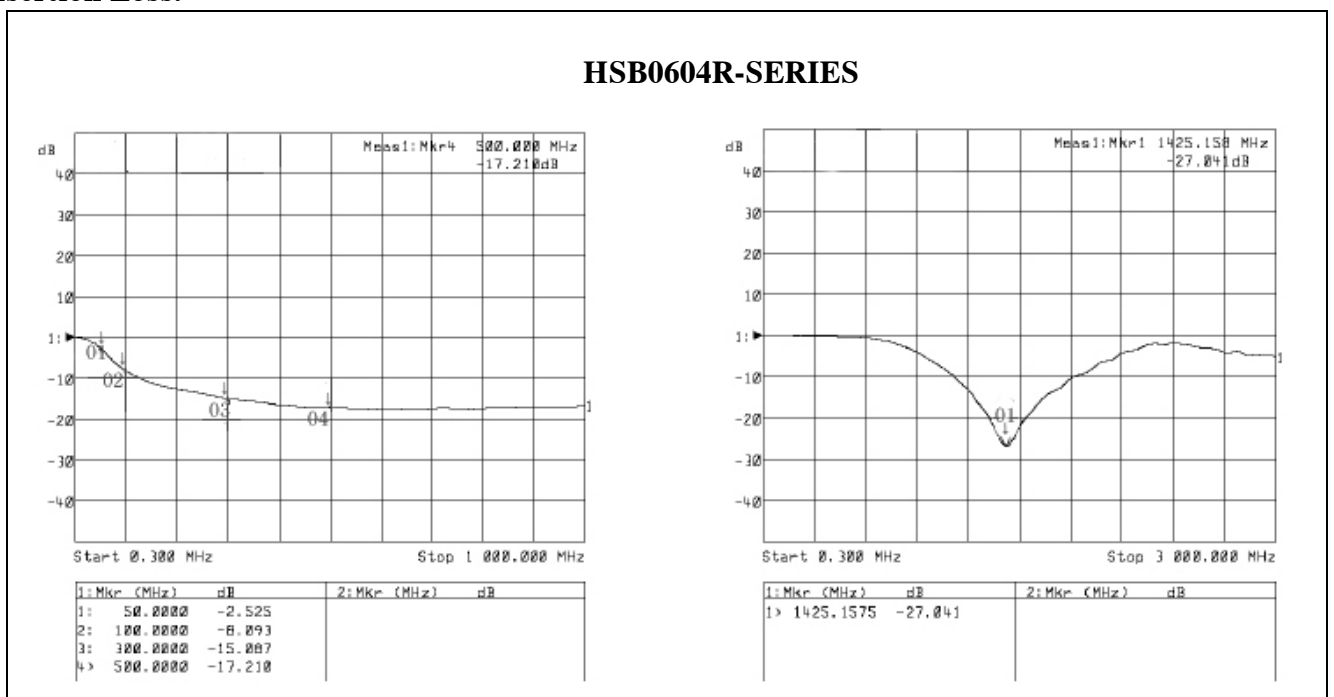
Twisted Cable Interface&IEEE 1394 Port:



Test Mode:



Insertion Loss:



HSB0604R SERIES

|Z|-F:

