

# SHENZHEN HIGHSTARTECH ELECTRONICS CO., LTD

## Common Mode Choke

### 1. FEATURES:

- (1) Line filters suppressing conductive noise ranging from low to high frequencies generated at power supply circuits of various electronic equipment.
- (2) High safety and reliability .
- (4) SMD mounted .

### 2. APPLICATIONS:

- (1) Minimizes noise emissions for conforming to FCC, VCCI, FTZ, CISPR, JTTC and VDE.
- (2) Applied equipment: TV, VCR, Switching Power sources, NC machines, computer systems.  
Peripheral units and measuring instruments.

### 3. PART NUMBER SYSTEM:

HSSLF10 - 401 - N - 3A

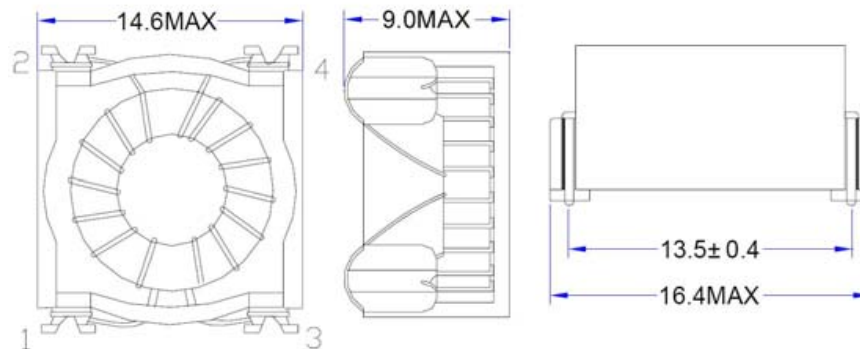
(1)        (2)        (3)    (4)

- (1) Type, SMD Line Filter.
- (2) Inductance, e.g. 401 is for 400uH.
- (3) Inductance tolerance, N means +/-30%.
- (4) Rated current, e.g. 3A

# SHENZHEN HIGHSTARTECH ELECTRONICS CO., LTD

## Common Mode Choke

### 4. PHYSICAL CHARACTERISTICS:



### 5. ELECTRICAL CHARACTERISTICS:

Part Number	IR(A)	DCR(mohm)	L 10K,0.1V (mH)	HI-POT DCV
HSSLF10-401N-3.0A	3	12	0.4	750
HSSLF10-911N-2.0A	2	25	0.91	750
HSSLF10-112N-1.1A	1.1	40	1.1	750
HSSLF10-172N-0.6A	0.6	100	1.7	750
HSSLF10-422N-0.3A	0.3	300	4.2	750