

SHENZHEN HIGHSTARTECH ELECTRONICS CO., LTD

Common Mode Choke

1. FEATURES:

- (1) Line filters suppressing conductive noise ranging from low to high frequencies generated at power supply circuits of various electronic equipment.
- (2) High safety and reliability .
- (3) Rated inductance 5uH to 4.7mH.
- (4) SMD mounted . .

2. APPLICATIONS:

- (1) Minimizes noise emissions for conforming to FCC, VCCI, FTZ, CISPR, JTTC and VDE.
- (2) Applied equipment: TV, VCR, Switching Power sources, NC machines, computer systems.
Peripheral units and measuring instruments.

3. PART NUMBER SYSTEM:

HSSLF04 - 470 - N - 0.5A

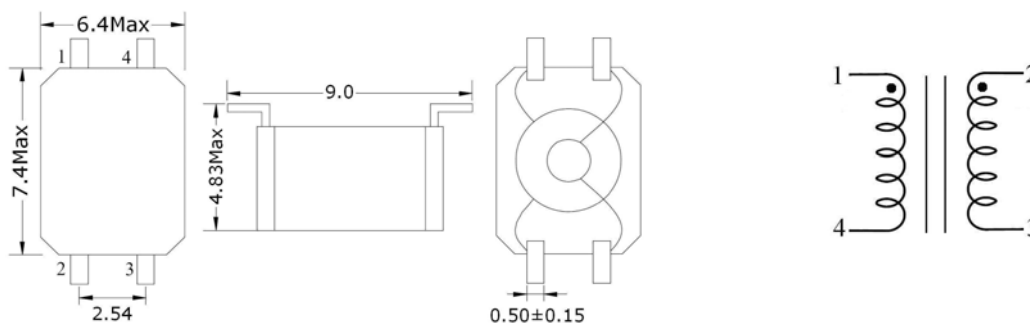
(1) (2) (3) (4)

- (1) Type, SMD Line Filter.
- (2) Inductance, e.g. 470 is for 47uH.
- (3) Inductance tolerance, N means +/-30%.
- (4) Rated current, e.g. 0.5A

SHENZHEN HIGHSTARTECH ELECTRONICS CO., LTD

Common Mode Choke

4. PHYSICAL CHARACTERISTICS:



5. ELECTRICAL CHARACTERISTICS:

Part Number	IR(mA)	DCR (mohm)	OCL \leq 1mH 100K,0.1V OCL \geq 1mH 10K,0.1V (mH)	LL \leq 11uH 1M,0.1V LL \geq 11uH 100K,0.1V (uH)	HI-POT DCV
HSSLF04-050N-1A	1000	100	0.005	0.05	250
HSSLF04-110N-0.5A	500	120	0.011	0.05	250
HSSLF04-250N-0.5A	500	130	0.025	0.15	250
HSSLF04-470N-0.5A	500	150	0.047	0.2	750
HSSLF04-510N-0.5A	500	160	0.051	0.2	750
HSSLF04-102N-0.45A	450	200	1	0.25	750
HSSLF04-222N-0.4A	400	400	2.2	0.25	750
HSSLF04-332N-0.35A	350	450	3.3	0.25	750
HSSLF04-472N-0.2A	200	550	4.7	0.30	750