

SHENZHEN HIGHSTARTECH ELECTRONICS CO., LTD

Common Mode Choke

1. FEATURES:

- (1) Line filters suppressing conductive noise ranging from low to high frequencies generated at power supply circuits of various electronic equipment.
- (2) High safety and reliability .
- (4) Pin through mounted .

2. APPLICATIONS:

- (1) Minimizes noise emissions for conforming to FCC, VCCI, FTZ, CISPR, JTTC and VDE.
- (2) Applied equipment: TV, VCR, Switching Power sources, NC machines, computer systems.
Peripheral units and measuring instruments.

3. PART NUMBER SYSTEM:

HSLFE25 - 353 - U - 0.3A

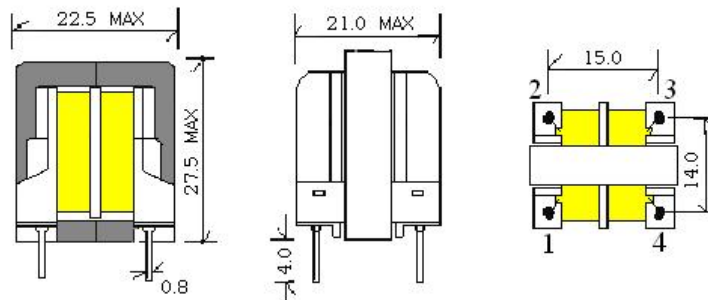
(1) (2) (3) (4)

- (1) Type, EE25 Line Filter.
- (2) Inductance, e.g. 353 is for 35mH.
- (3) Inductance tolerance, U means minimum.
- (4) Rated current, e.g. 0.3A

SHENZHEN HIGHSTARTECH ELECTRONICS CO., LTD

Common Mode Choke

4. PHYSICAL CHARACTERISTICS:



5. ELECTRICAL CHARACTERISTICS:

Part Number	IR(A)	DCR(ohm)	L 1K.1V (mH)	HI-POT ACV
HSLFE25-353U-0.3A	0.3	2.05	35	1500
HSLFE25-203U-0.5A	0.5	1.5	20	1500
HSLFE25-752U-0.8A	0.8	0.65	7.5	1500
HSLFE25-502U-1.3A	1.3	0.45	5	1500
HSLFE25-252U-1.8A	1.8	0.25	2.5	1500